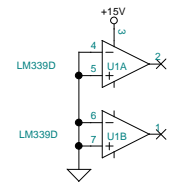
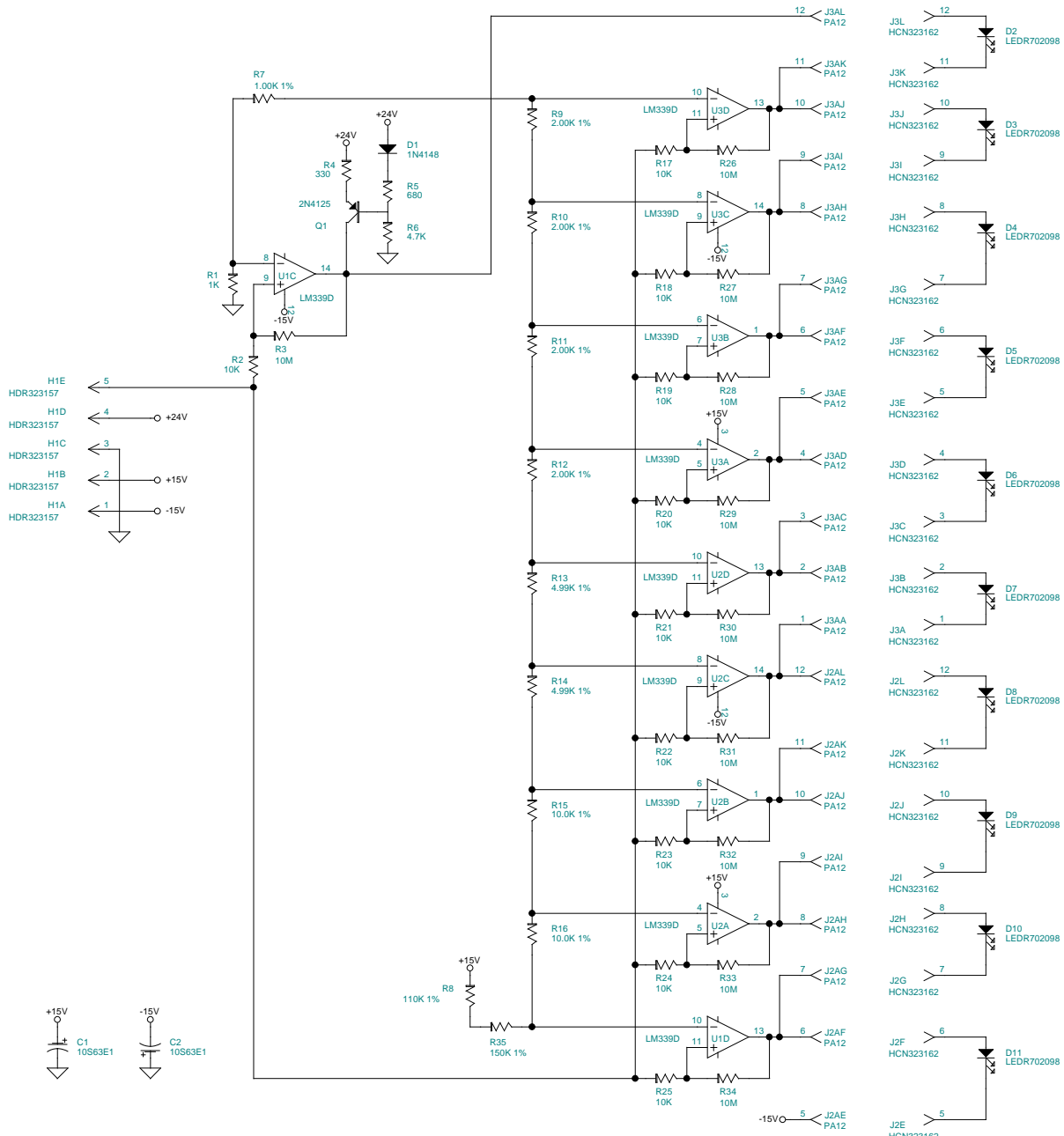


| REVISION | DESCRIPTION | ECO# | DATE |
|----------|---|------|----------|
| A0 | SCHEMATIC CONVERTED FROM DEX FILES | | 8.10.94 |
| X0 | CHANGE Q1 FROM 2S8548 TO 2N4125 | | 8.22.94 |
| X1 | CHANGE TO STANDARD DOD PARTS WHERE POSSIBLE | | 8.24.94 |
| B0 | RELEASE TO PRODUCTION PCB CONVERTED TO PROTEL FILES | | 9.21.94 |
| B1 | LED SPACER 28-3435 MOVED TO 05 LEVEL BCM | 9 | 10.18.94 |
| | | | |
| | | | |
| | | | |
| | | | |
| | | | |
| | | | |
| | | | |
| | | | |
| | | | |
| | | | |
| | | | |
| | | | |
| | | | |
| | | | |
| | | | |
| | | | |
| | | | |
| | | | |
| | | | |
| | | | |
| | | | |
| | | | |
| | | | |
| | | | |
| | | | |
| | | | |
| | | | |
| | | | |
| | | | |
| | | | |

| REVISION | DESCRIPTION | ECO# | DATE |
|----------|-------------|------|------|
| | | | |
| | | | |
| | | | |
| | | | |
| | | | |
| | | | |
| | | | |
| | | | |
| | | | |
| | | | |
| | | | |
| | | | |
| | | | |
| | | | |
| | | | |
| | | | |
| | | | |
| | | | |
| | | | |
| | | | |
| | | | |
| | | | |
| | | | |
| | | | |
| | | | |
| | | | |
| | | | |
| | | | |
| | | | |
| | | | |
| | | | |
| | | | |
| | | | |
| | | | |
| | | | |
| | | | |
| | | | |
| | | | |
| | | | |
| | | | |

| LINK
| 056168B1.001

| | | | |
|--|------------------------------|-------|--------|
| PRO PROFESSIONAL PRODUCTS 8760 South Sandy Parkway Sandy, Utah 84070 | | | |
| Title: DBX 902/903/904 LED BOARD 80-6168 | | | |
| Size B | Document Number 056168B1.000 | | Rev B1 |
| Date: | Wednesday, October 20, 1999 | Sheet | 0 of 1 |



LS1
LS283435

PCB1
80-6168-B

| | |
|---|---------------------------------|
| dbx PROFESSIONAL PRODUCTS | |
| 8760 South Sandy Parkway Sandy, Utah 84070 | |
| Title dbx 902/903/904 LED BOARD 80-6168 | |
| Size B | Document Number 056168B1.001 |
| Date: Wednesday, October 20, 1999 | Sheet 1 of 1 |
| | Rev B1 |

G112 Amp. Chorus
055368

Revised: June 29, 1998

Revision: C1

Bill Of Materials
Quan ReferenceJune 29, 1998 16:12:14
Part SYMAN Description

| Quan | Reference | Part | SYMAN | Description |
|------|--|------------|------------|--|
| 14 | C1,C2,C9,C16,C18,C22,C32,C33,C39,C40,C59,C115,C116,C128 | 10ME1 | 60-0049-01 | 10 uF Cap 16V -20/+20% Elect., -D Ammo |
| 3 | C3,C117,C118 | .033J | 56-0009 | .033 uF Cap 50V 5% Poly Film 333J ammo |
| 1 | C4 | .010J | 56-0006 | .010 uF Cap 50V 5% Poly Film 103J ammo |
| 24 | C5,C6,C7,C8,C31,C61,C62,C63,C64,C65,C66,C78,C89,C90,C91,C92,C93,C94,C95,C96,C97,C98,C99,C100 | .047MD7 | 62-3129 | .047 uF Cap 50V 20% Cerm, SMT 0805 |
| 4 | C10,C11,C24,C127 | .047J | 56-0010 | .047 uF Cap 50V 5% Stacked Metal Pet 473J ammo |
| 6 | C12,C47,C73,C74,C83,C86 | 220PKD7 | 62-3138 | 220 pF Cap 50V 10% Cerm, SMT 0805 |
| 1 | C13 | .0010J | 56-0000 | .0010 uF Cap 50V 5% Poly Film 102J ammo |
| 7 | C19,C20,C102,C103,C104,C111,C114 | 47ME1 | 60-0054-01 | 47 uF Cap 16V -20/+20% Elect., T&R, 5X8mm body |
| 2 | C21,C125 | 1NPME1 | 60-0046-01 | 1.0 uF Cap 16V -20/+20% Elect., N.P. T&R |
| 1 | C25 | .0082J | 56-0030 | .0082 uF Cap 50V 5% Poly Film 822J ammo |
| 5 | C26,C41,C51,C101,C124 | 1000PMD7 | 62-3136 | 1000 pF Cap 50V 20% Cerm, SMT 0805 |
| 10 | C27,C45,C52,C60,C69,C71,C72,C79,C120,C121 | .10KD7 | 62-3139 | .10 uF Cap 50V 20% Cerm, SMT 0805 |
| 3 | C28,C29,C30 | 470PKD7 | 62-3133 | 470 pF Cap 50V 10% Cerm, SMT 0805 |
| 2 | C35,C17 | 120PJD7 | 62-3135 | 120 pF Cap 50V 5% Cerm, SMT 0805 |
| 2 | C37,C38 | 10PJD7 | 62-3140 | 10 pF Cap 50V 5% Cerm, SMT 0805 |
| 1 | C42 | .033JD7 | 62-3147 | .033 uF Cap 50V 10% Cerm, SMT 0805 |
| 2 | C44,C119 | 47PJD7 | 62-3132 | 47 pF Cap 50V 5% Cerm, SMT 0805 |
| 1 | C46 | 22PJD7 | 62-3134 | 22 pF Cap 50V 5% Cerm, SMT 0805 |
| 1 | C70 | 22NPM25E1 | 60-0402 | 22 uF Cap 25V -20/+20% Elect. NP, T&R |
| 2 | C76,C75 | .47J | 56-0016 | .47 uF Cap 50V 5% Stacked Metal Pet 474J ammo |
| 1 | C77 | 22M25E1H | 60-0408 | 22 uF Cap 25V -20/+20% Elect-L |
| 2 | C80,C82 | .0047J | 56-0004 | .0047 uF Cap 50V 5% Poly Film 472J ammo |
| 2 | C81,C84 | .0022J | 56-0002 | .0022 uF Cap 50V 5% Poly Film 222J ammo |
| 4 | C106,C107,C108,C109 | 2200M35EH | 60-0407 | 2200 uF Cap 35V -20/+20% Elect-L |
| 1 | C110 | 100M25E1 | 60-0055 | 100 uF Cap 25V -20/+20% Elect-D T&R |
| 1 | C112 | 4.7ME1 | 60-0048-01 | 4.7 uF Cap 16V -20/+20% Elect., T&R |
| 1 | C113 | 1M50E1 | 60-0044-01 | 1.0 uF Cap 50V -20/+20% Elect., T&R C&F |
| 2 | C123,C122 | 470PMD1 | 62-0003 | 470 pF Cap 50V 20% Ceramic Disc T&R |
| 1 | C126 | 1.5M25T1 | 62-0164 | 1.5 uF Cap 25V 20% Tantalum T&R |
| 4 | D1,D2,D8,D9 | 1N914-7 | 70-0110 | 1N914 Diode Silicon Switching, 75 Volts PIV, SMT |
| 4 | D3,D4,D5,D6 | 1N5402 | 70-0100 | 1N5402 Silicon Rectifier, 3Amp, 200 PIV |
| 1 | D7 | LEDR701902 | 70-1902 | LED Red, RT. ANGLE, anti-tip housing |
| 2 | H1,H2 | HDR321102 | 32-1102 | 3 Pin Locking Header 0.1" spacing 0.045 pins |
| 5 | H3,W5,W6,C15,R52 | omit | 00-0000 | This part has been omitted |
| 4 | J1,J4,J5,J7 | J320119 | 32-0119 | 1/4 Phone Jack, Hor. Mount, Full Nose Thread Slimline |
| 1 | J2 | J320128 | 32-0128 | RCA Connector, Female, PC Mount, White Insert |
| 1 | J3 | J320129 | 32-0129 | RCA Connector, Female, PC Mount, Red Insert |
| 1 | J6 | J320094 | 32-0094 | 1/8 Phone Jack, Hor. Mount, Insulated tip |
| 4 | L1,L2,L3,L4 | FB260217 | 26-0217 | Ferrite Bead, 2.5Kohms @70Mhz, SMT 0805 |
| 1 | M1 | PA1 | 00-0000 | 1 Pin Pad Pattern, Not a part |
| 4 | P1,P2,P4,P5 | 10K402036 | 40-2036 | 10 K "D" 16mm, Rot Pot, 16MM D Taper horiz mt. |
| 4 | P3,P6,P7,P9 | 100K402012 | 40-2012 | 100 K "W" 16mm, Rot Pot, 15mm K Shaft, H. Mount, Center Detent |
| 1 | P8 | 500K402013 | 40-2013 | 500 K "C" 16mm, Rot Pot, 15mm K Shaft, H. Mount, Center Detent |

5368c1

1 PCB1 80-5368-C 80-5368-C G112 MAIN PCB, RAW
 3 Q1,Q2,Q7 2N5088 70-1007 2N5088 NPN, Transistor, T&R

DOD Software

G112 Amp. Chorus

055368

Bill Of Materials

Quan Reference

Revised: June 29, 1998

Revision: C1

16:12:14

June 29, 1998
 Part SYMAN Description

Page

| Quan | Reference | Part | SYMAN | Description |
|------|---|------------|---------|---|
| 3 | Q6,Q8,Q9 | 2N4124 | 70-1009 | 2N4124 NPN, Gen. Purp. Amplifier/Switching Xstr T&R |
| 6 | R1,R10,R16,R24,R109,R134 | 47K-7 | 50-1502 | 47 KOhm Resistor 5% 1/10 Watt TF, SMT 0805 |
| 19 | R2,R5,R6,R21,R89,R90,R92, R93,R102,R104,R105,R107, R108,R110,R111,R132,R133, R1000,R1010 | 10K-7 | 50-1503 | 10 KOhm Resistor 5% 1/10 Watt TF, SMT 0805 |
| 3 | R3,R8,R34 | 2K-7 | 50-1508 | 2 KOhm Resistor 5% 1/10 Watt TF, SMT 0805 |
| 5 | R4,R98,R101,R118,R119 | 33K-7 | 50-1512 | 33 KOhm Resistor 5% 1/10 Watt TF, SMT 0805 |
| 7 | R7,R39,R123,R124,R125, R131,R1011 | 100K-7 | 50-1504 | 100 KOhm Resistor 5% 1/10 Watt TF, SMT 0805 |
| 11 | R9,R20,R25,R36,R48,R53, R88,R135,R143,R144,R1007 | 1K-7 | 50-1505 | 1 KOhm Resistor 5% 1/10 Watt TF, SMT 0805 |
| 3 | R13,R1004,R1009 | 0-7 | 50-1531 | 0 Ohm Resistor 5% 1/10 Watt TF, SMT 0805 |
| 4 | R14,R94,R141,R142 | 10-7 | 50-1500 | 10 Ohm Resistor 5% 1/10 Watt TF, SMT 0805 |
| 5 | R18,R33,R87,R95,R1001 | 22K-7 | 50-1522 | 22 KOhm Resistor 5% 1/10 Watt TF, SMT 0805 |
| 1 | R19 | 2.2K | 50-0208 | 2.2 KOhm Resistor 5% 1/4 Watt Carbon Film |
| 2 | R22,R42 | 2.2K-7 | 50-1529 | 2.2 KOhm Resistor 5% 1/10 Watt TF, SMT 0805 |
| 4 | R23,R117,R121,R1005 | 3.3K-7 | 50-1525 | 3.3 KOhm Resistor 5% 1/10 Watt TF, SMT 0805 |
| 7 | R26,R27,R28,R29,R116, R122,R126 | 4.7K-7 | 50-1509 | 4.7 KOhm Resistor 5% 1/10 Watt TF, SMT 0805 |
| 1 | R30 | 220K-7 | 50-1514 | 220 KOhm Resistor 5% 1/10 Watt TF, SMT 0805 |
| 1 | R37 | 330-7 | 50-1517 | 330 Ohm Resistor 5% 1/10 Watt TF, SMT 0805 |
| 3 | R54,R57,R128 | 15K-7 | 50-1516 | 15 KOhm Resistor 5% 1/10 Watt TF, SMT 0805 |
| 4 | R96,R97,R99,R100 | 20K-7 | 50-1507 | 20 KOhm Resistor 5% 1/10 Watt TF, SMT 0805 |
| 1 | R120 | 150K-7 | 50-1526 | 150 KOhm Resistor 5% 1/10 Watt TF, SMT 0805 |
| 1 | R127 | 100-7 | 50-1515 | 100 Ohm Resistor 5% 1/10 Watt TF, SMT 0805 |
| 1 | R129 | 10.0K 1%-7 | 52-4500 | 10.0 KOhm Resistor 1% 1/10 Watt TF, SMT 0805 |
| 4 | R130,R138,R145,R146 | 7.5K-7 | 50-1521 | 7.5 KOhm Resistor 5% 1/10 Watt TF, SMT 0805 |
| 2 | R136,R1003 | 470-7 | 50-1518 | 470 Ohm Resistor 5% 1/10 Watt TF, SMT 0805 |
| 1 | R1006 | 470K-7 | 50-1523 | 470 KOhm Resistor 5% 1/10 Watt TF, SMT 0805 |
| 2 | R1008,R1002 | 475K 1% | 52-0240 | 475 KOhm Resistor 1% 1/4 Watt Metal Film |
| 2 | SC1,SC2 | SC340040 | 34-0040 | Switch Cap, Grey, Cylindrical, PHA Series |
| 2 | SW1,SW2 | SW440050 | 44-0050 | Mini In/Out DPDT Switch (6 Pin) E-Switch |
| 8 | U1,U2,U4,U7,U14,U19,U20, U22 | NJM4560/SM | 72-4233 | NJM4560 Dual Op-Amp, SMT SOIC |
| 1 | U3 | NJM5532/SM | 72-1439 | IC, 5532MD, DUAL BIPOLAR OPAMP, SMT-SO8 |
| 2 | U6,U9 | CD4053/SM | 72-1422 | Triple 2 to 1 Analog Multiplexer, SMT |
| 1 | U12 | TDA7294 | 72-5430 | TDA7294 60W Amplifier |
| 1 | U15 | 7808 | 70-4020 | 7808 +8 Volt 1 Amp Voltage Regulator TO-220 |
| 1 | U16 | 7908 | 70-4015 | 7908 -8 Volt 1 Amp Voltage Regulator TO-220 |
| 1 | U17 | MN3007 | 72-3039 | Bucket Brigade Delay |
| 1 | U18 | MN3101 | 72-3040 | Clock Driver |
| 1 | U21 | LF353/SM | 72-4032 | LF353M Dual Op-Amp, SMT |